



1
140
EXISTING SECTION G-G
1:100



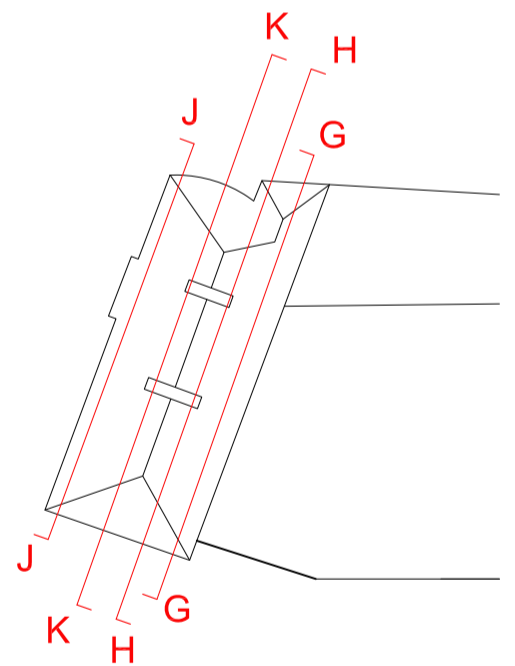
2
140
EXISTING SECTION J-J
1:100



3
140
EXISTING SECTION H-H
1:100



4
140
EXISTING SECTION K-K
1:100



KEY

- To be demolished
- Fittings and furniture to be removed

p1	Minor Updates	15.12.20
Rev	Description	Date
Project PRESENTATION BUILDING REGENERATION LIBRARY, CULTURAL, CIVIC, AND LEARNING SPACE TULLOW STREET CARLOW		
Title CONVENT INTERNAL ELEVATIONS		
Project No.	Drawing No.	Date Scale @ A1
20CLB	PP_116	23.10.20 1:100

This drawing and any design herein is the copyright of the Architects and must not be reproduced without their consent. Drawings remain the property of the Architects. Do not scale off drawings. Use written dimensions.

32 South Terrace, Cork
t: 021 4847123
e: info@ccnarchitects.net
w: ccnarchitects.net

**CARR
COTTER
&
NAESSENS
ARCHITECTS**