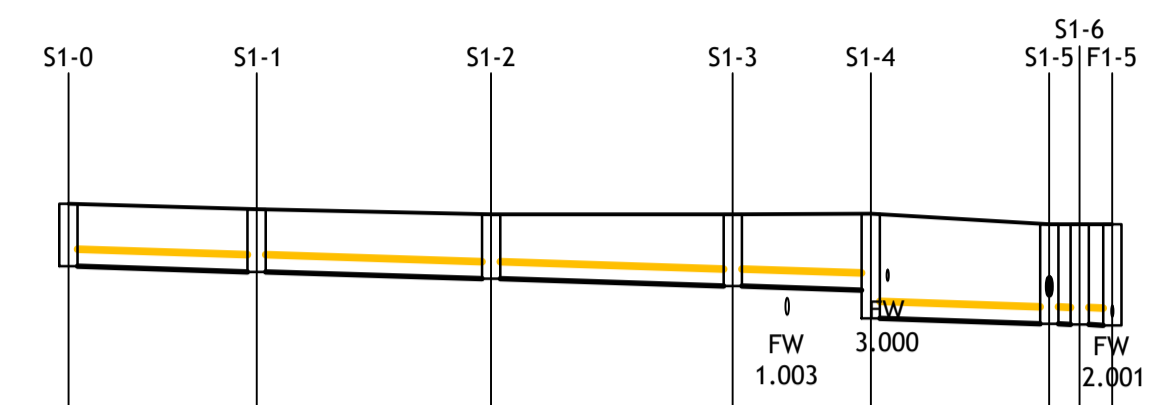


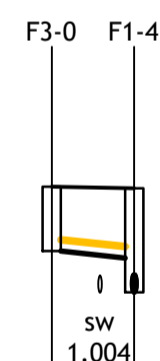
Vert exaggeration = 5.0 Datum = 48.0

Link Name	1.000	1.001	1.002	1.003	1.004	1.005	
Section Type	150mm	150mm	225mm	225mm	225mm	225mm	
Slope	1:60.0	1:80.0	1:100.0	1:100.0	1:107.4	1:107.4	
Cover Level	51.280	51.200	51.100	51.150	51.130	51.000	50.770
Invert Level	50.530	50.316	50.087	49.828	49.756	49.648	49.486
Length	12.857	18.319	18.408	7.157	11.630	17.386	



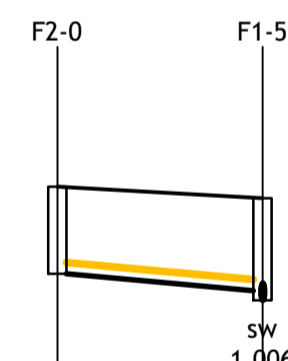
Vert exaggeration = 5.0 Datum = 48.0

Link Name	1.000	1.001	1.002	1.003	1.004	1.005	1.006
Section Type	225mm	225mm	225mm	225mm	225mm	225mm	225mm
Slope	1:168.3	1:168.5	1:168.2	1:169.0	1:168.6	1:200.0	1:200.0
Cover Level	51.270	51.200	51.130	51.130	51.140	51.000	51.000
Invert Level	50.445	50.371	50.279	50.184	50.130	49.685	49.685
Length	12.451	15.502	15.982	9.127	11.805	2.024	1.456



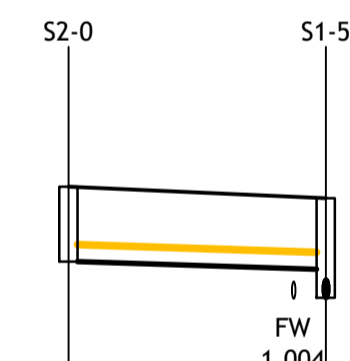
Vert exaggeration = 5.0 Datum = 48.0

Link Name	3.000
Section Type	150mm
Slope	1:60.0
Cover Level	51.150
Invert Level	50.300
Length	5.455



Vert exaggeration = 5.0 Datum = 48.0

Link Name	2.001
Section Type	150mm
Slope	1:60.0
Cover Level	51.150
Invert Level	50.000
Length	13.567



Vert exaggeration = 5.0 Datum = 48.0

Link Name	2.000
Section Type	225mm
Slope	1:168.5
Cover Level	51.150
Invert Level	50.161
Length	17.023



Rev	Amendment	By	Date
PRO	ISSUED FOR STAGE 2A	DF	30/11/2020

Client: