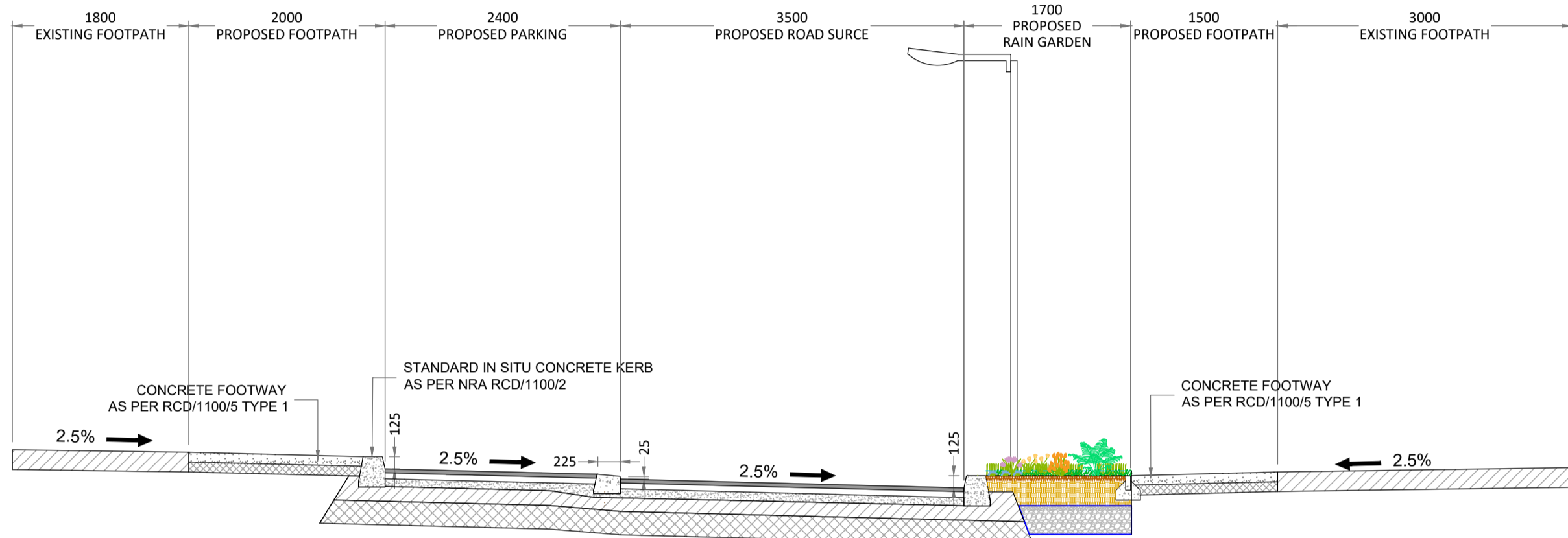
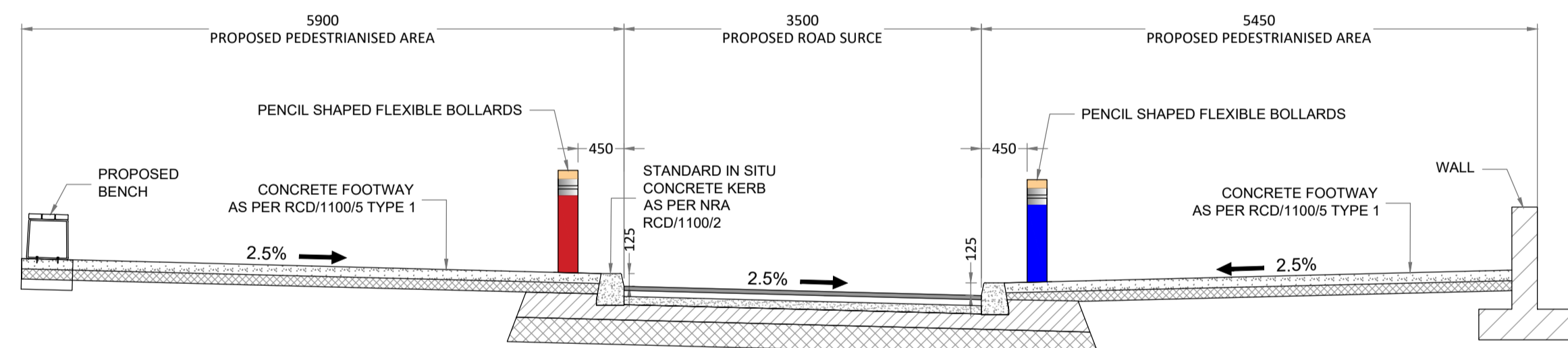


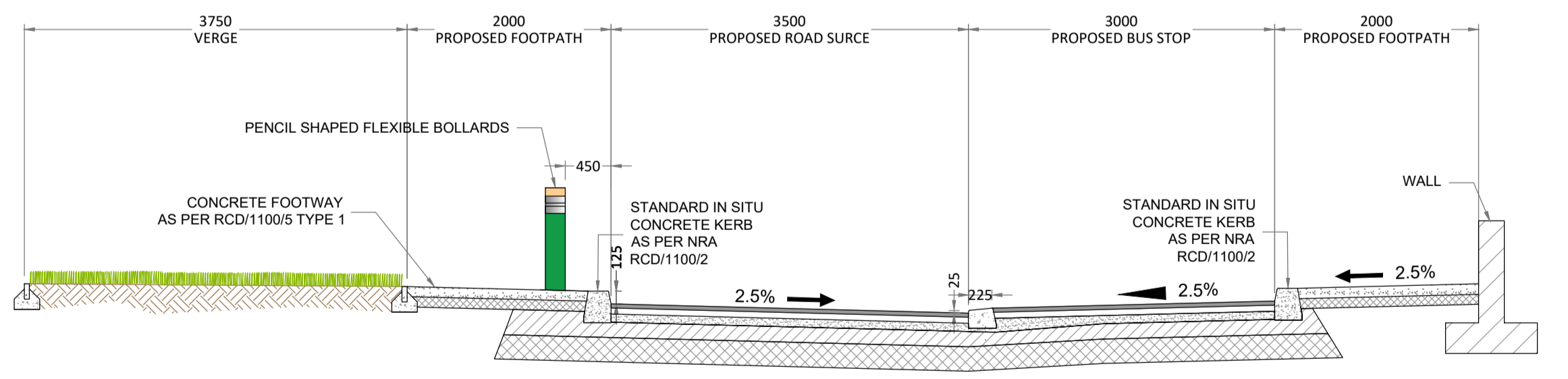
SECTION A-A



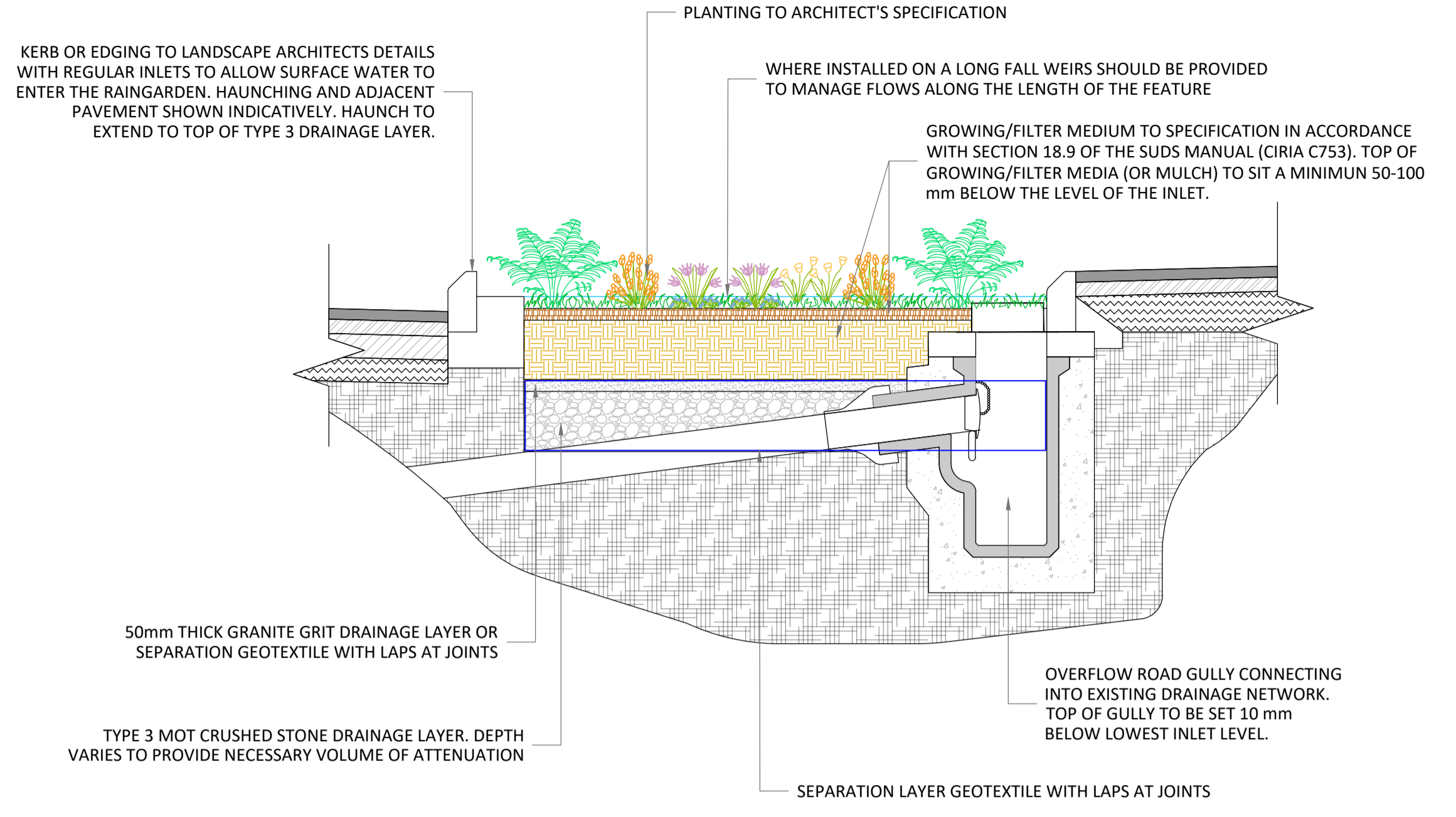
SECTION B-B



SECTION C-C

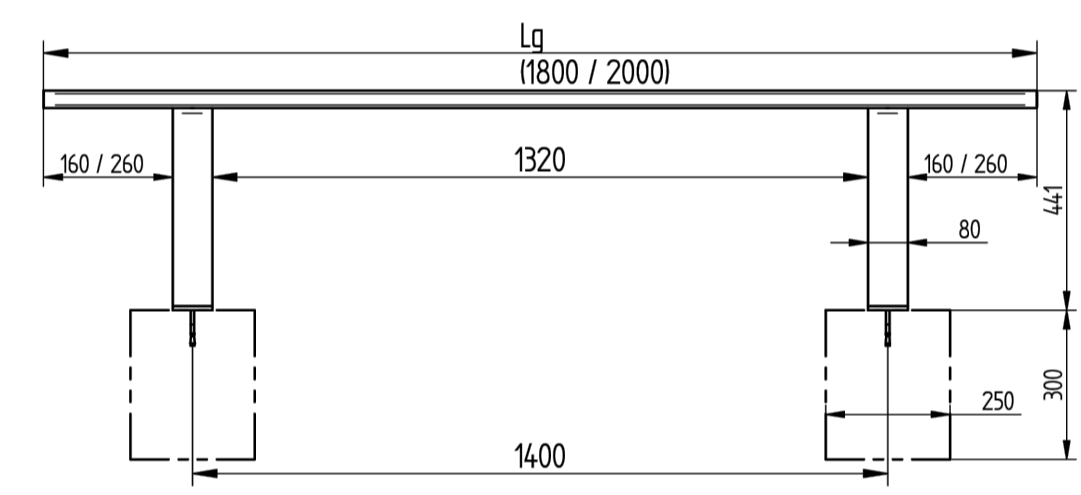


SECTION D-D



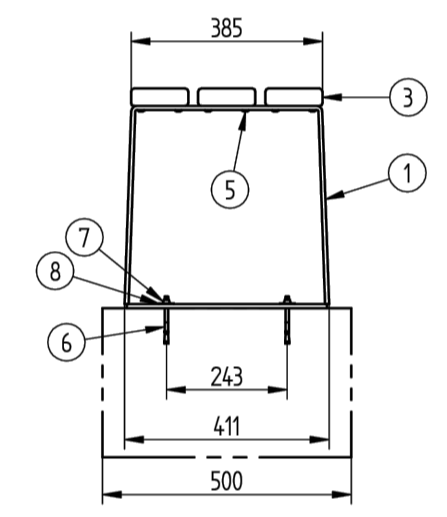
TYPICAL RAINGARDEN WITH INFILTRATION ON ROAD GULLY OVERFLOW

Scale: 1:20



PROPOSED BENCH - LONG SECTION

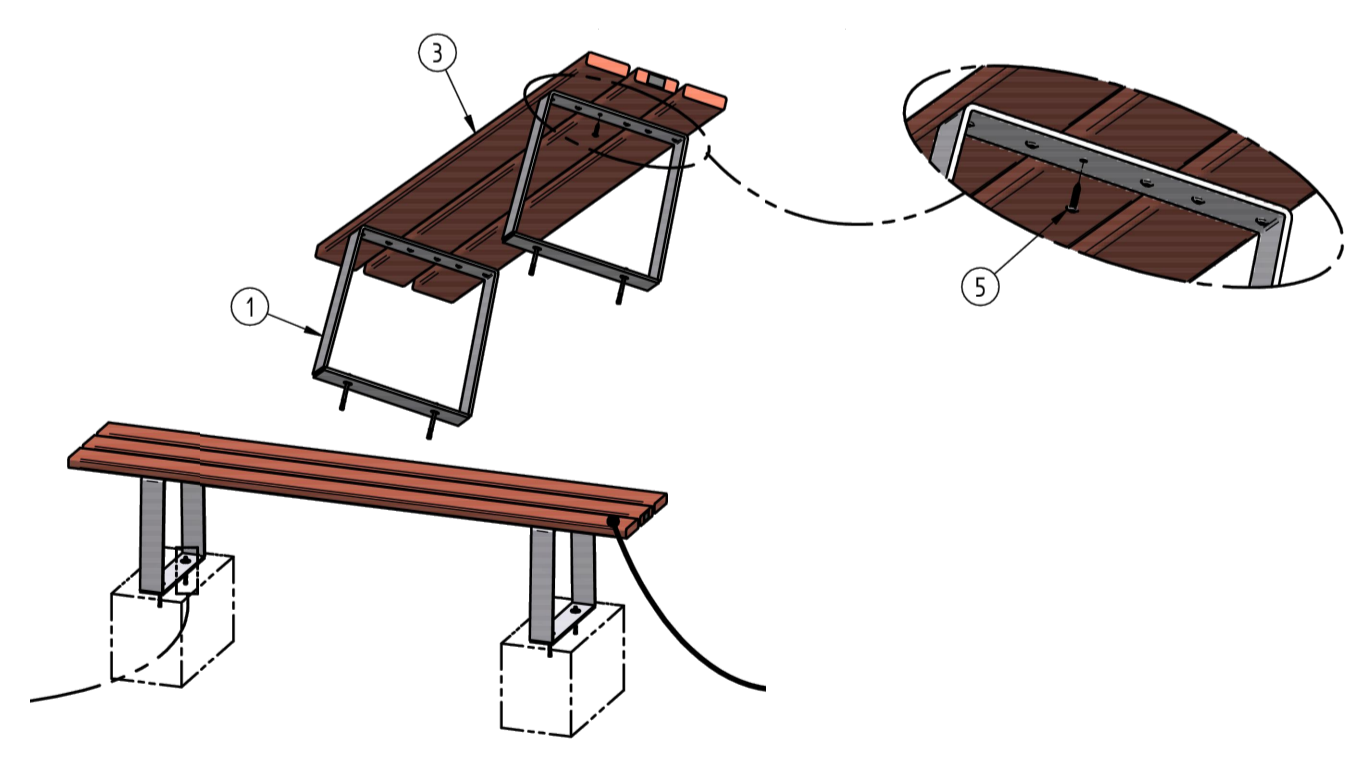
Scale: NTS



PROPOSED BENCH - CROSS SECTION

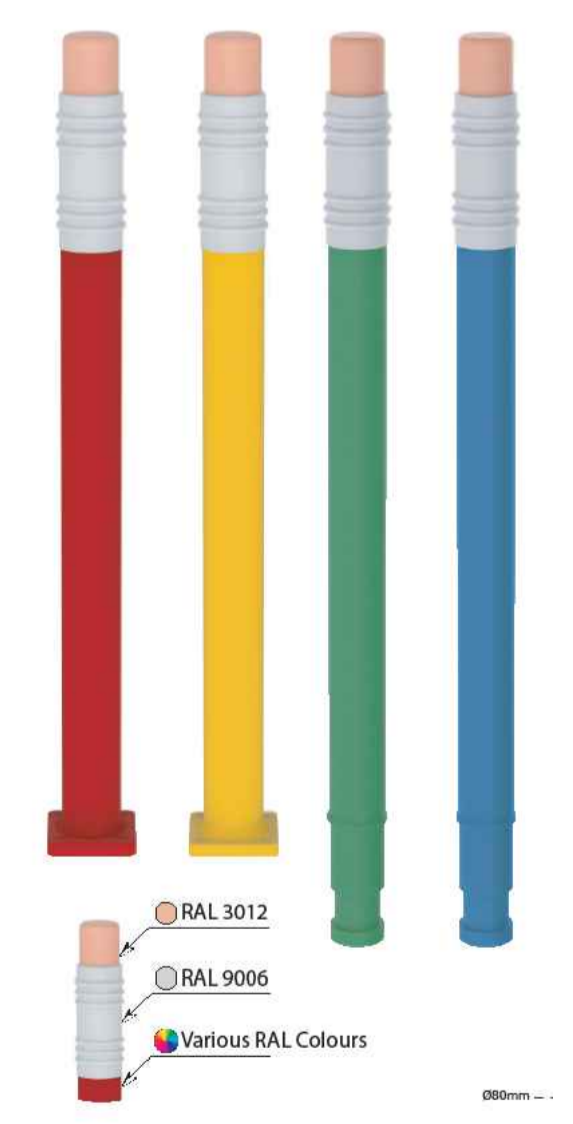
Scale: NTS

X	N°	Références	Qté	Description
	10	ACC050408	1	Embout Vis Torx Inviolable T30
	8	ACC18108	4	Rondelle plate L18 A2
	7	ACC05006	4	Ecrou M8 autofassant A2
	6	ACC07066	4	Goujon M8x95 ZN
	5	ACC220305	12	Vis de Penture Ø6x30 Inox
	3		3	LATTE DE BOIS POUR BANC RIGA
	1	SF1209186-A	2	PIED SOLIDE DE BANQUETTE RIGA



PROPOSED BENCH

Scale: NTS



PROPOSED PENCIL BOLLARD

Scale: NTS

- FOR SETTING OUT REFER TO ARCHITECT'S DRAWINGS.
- THIS DRAWING TO BE READ IN CONJUNCTION WITH ALL OTHER ARCHITECTURAL AND ENGINEERING DRAWINGS AND ALL OTHER RELEVANT DRAWINGS AND SPECIFICATIONS.
- DO NOT SCALE THIS DRAWING. USE FIGURED DIMENSIONS ONLY.
- NO PART OF THIS DOCUMENT MAY BE REPRODUCED OR TRANSMITTED IN ANY FORM OR STORED IN ANY RETRIEVAL SYSTEM OF ANY NATURE WITHOUT THE WRITTEN PERMISSION OF O'CONNOR SUTTON CRONIN AS COPYRIGHT HOLDER EXCEPT AS AGREED FOR USE ON THE PROJECT FOR WHICH THE DOCUMENT WAS ORIGINALLY ISSUED.

Rev No.	Date	Revision Note	Drn by	Chkd by
P01	24/04/24	FOR INFORMATION ONLY	DC	JC
P02	27/07/24	ISSUED FOR PART 8	RH	JC

Rev No.	Date	Revision Note	Drn by	Chkd by



OCSC
O'CONNOR SUTTON CRONIN
MULTIDISCIPLINARY CONSULTING ENGINEERS
Civil / Structural / Environmental / Mechanical / Electrical / Sustainability
Dublin Office: 9 Prussia Street, Dublin 7, D07 KT57.
Tel: +353 (0)1 8682000 Web: www.ocsc.ie
Dublin London Belfast Galway Cork Birmingham

Client:	Carlow County Council										
Project:	CARLOW ACTIVE TRAVEL SCHEMES Safe Route to School - Bagenalstown										
Title:	Typical Cross Sections Lon Range Road										
Code	Originator	Zone	Level	Type	Role	Number	Status	Revision			
C1051	OCSC	Z1	02	DR	C	0703	S2	P02			
Date:	23.07.24	Scale:	1:50	@	A1	Drn by:	RH	Chkd by:	JC	Aprvd by:	BO'R