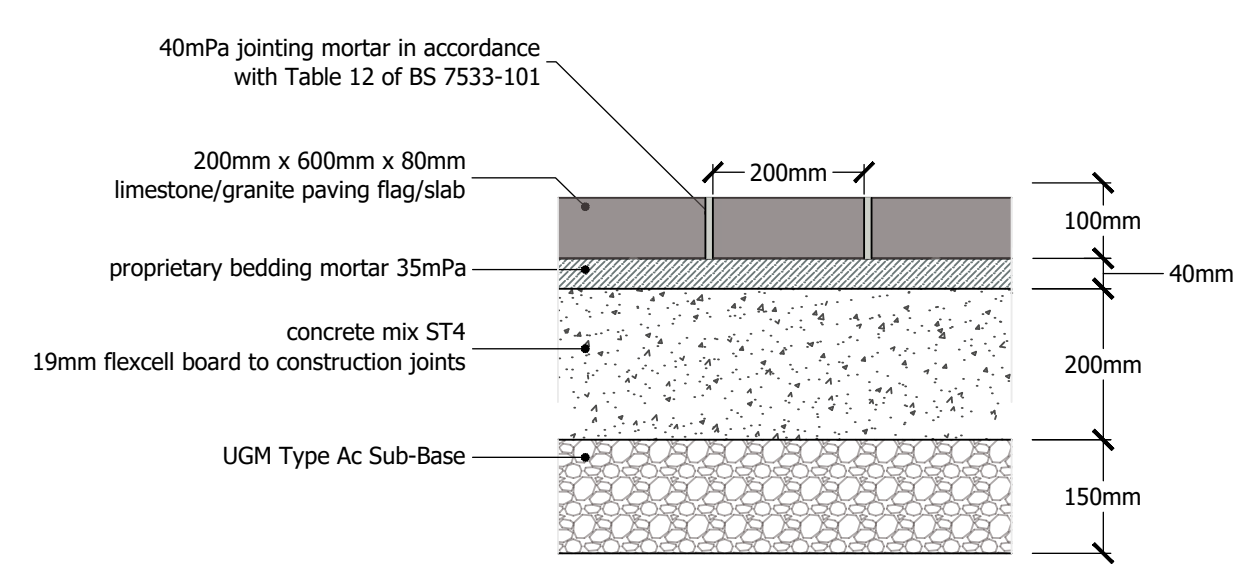
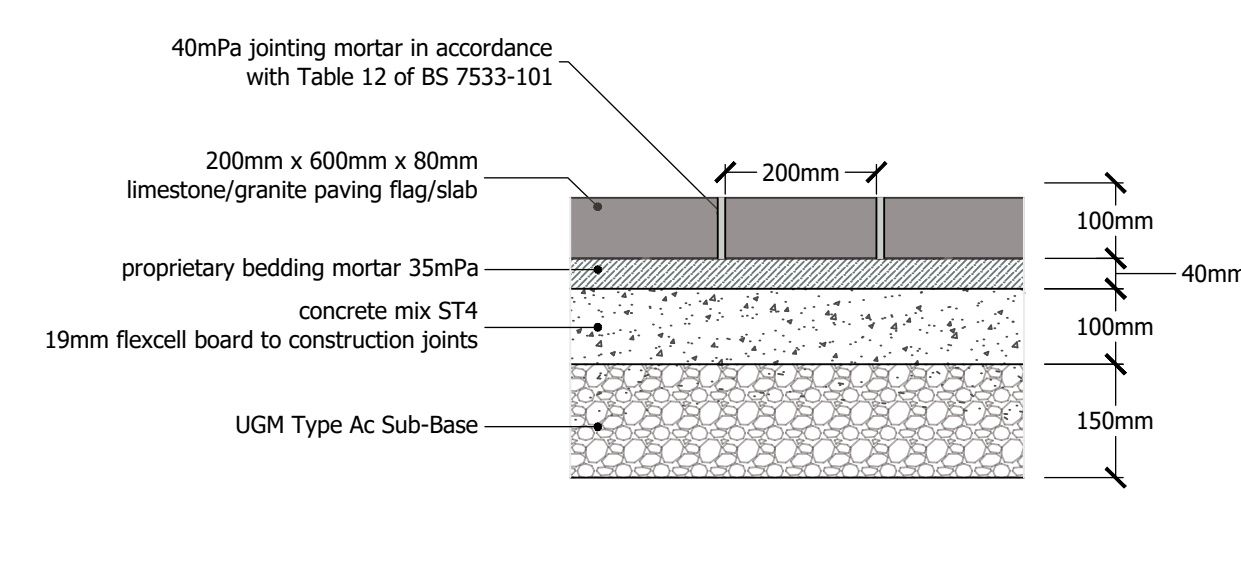


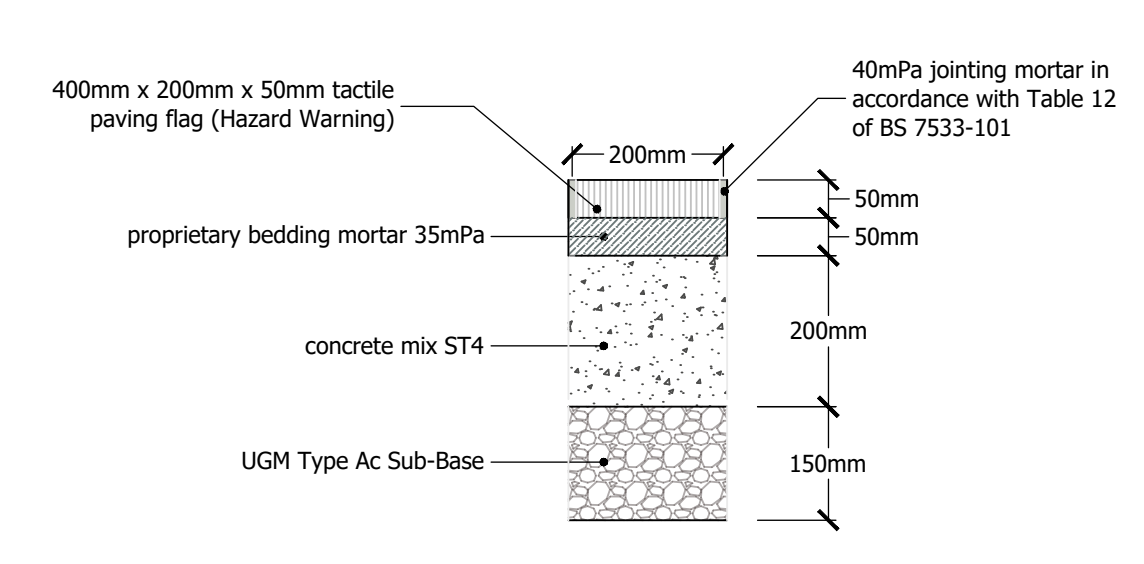
**DETAIL 11-1A**  
Paved Area Type 1  
(TRAFFICKED)



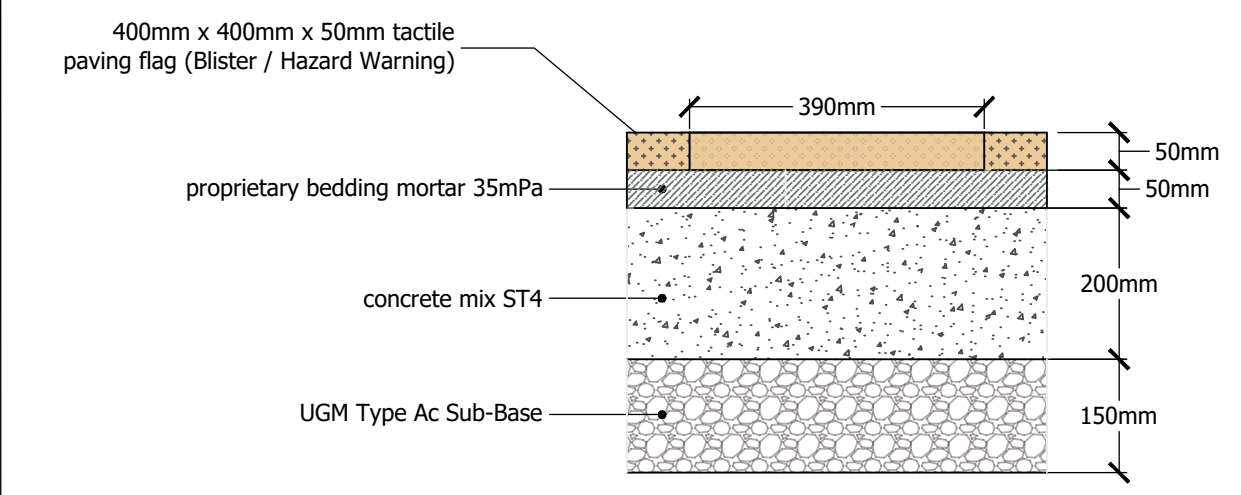
**DETAIL 11-1B**  
Paved Area Type 2  
(TRAFFICKED)



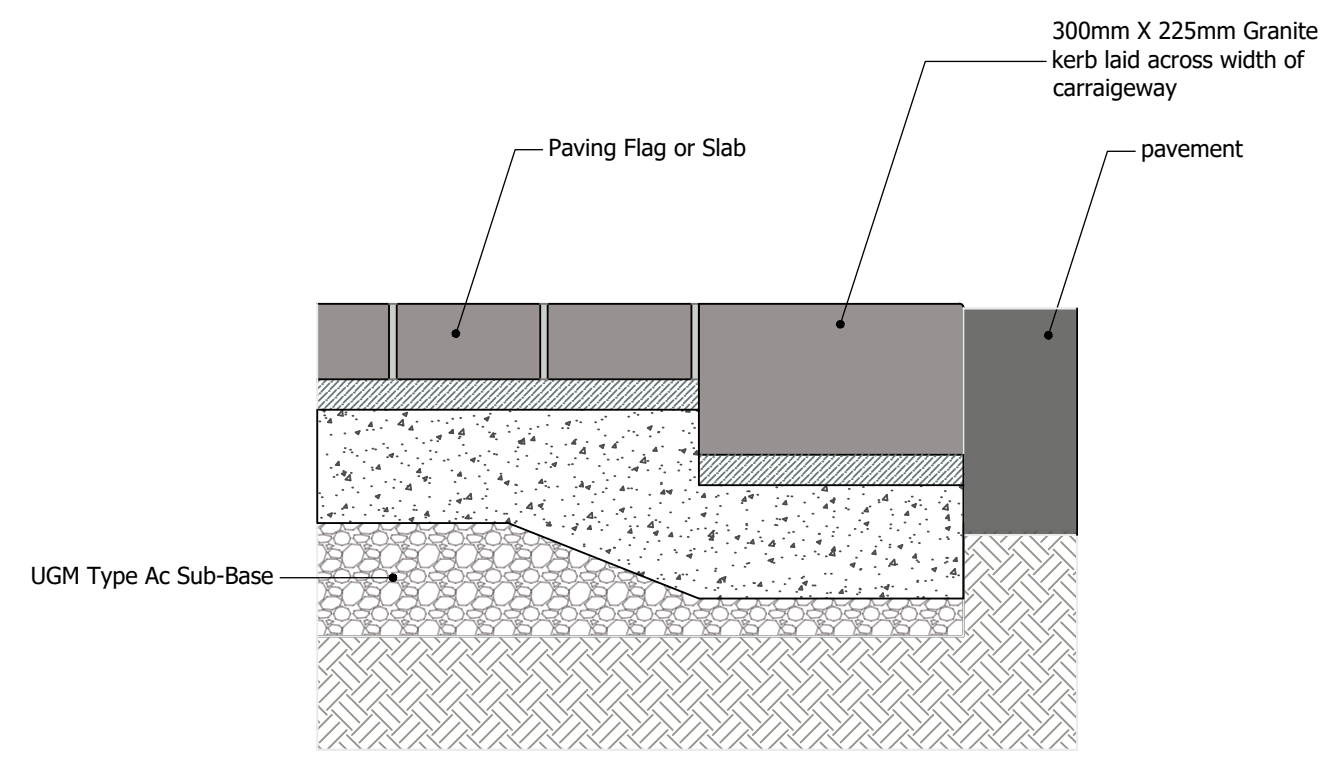
**DETAIL 11-2**  
Paved Area Type 2  
(NON-TRAFFICKED)



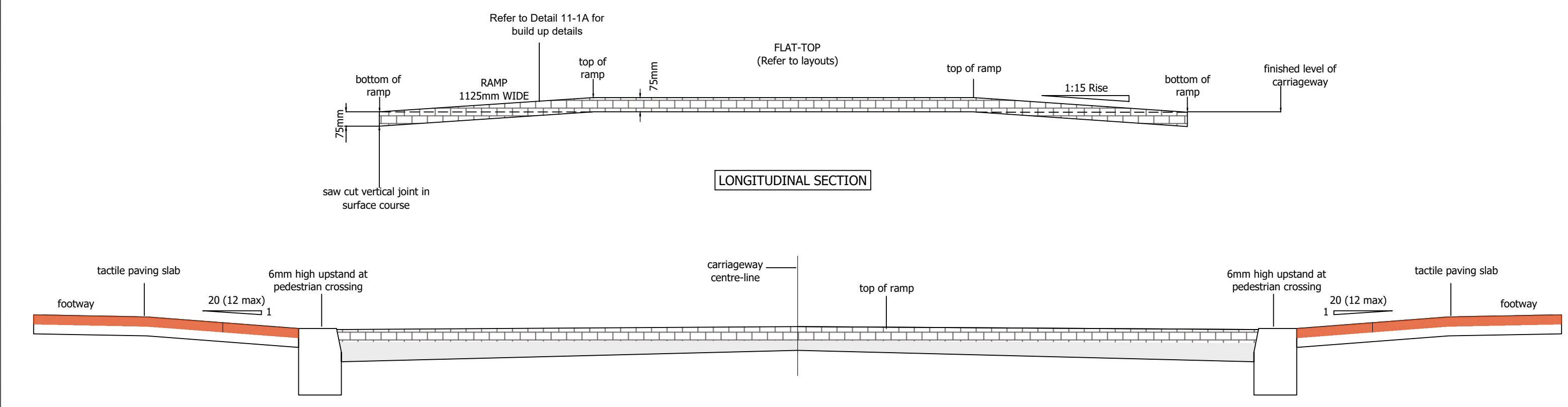
**DETAIL 11-3**  
Paved Area Type 3  
(TRAFFICKED)



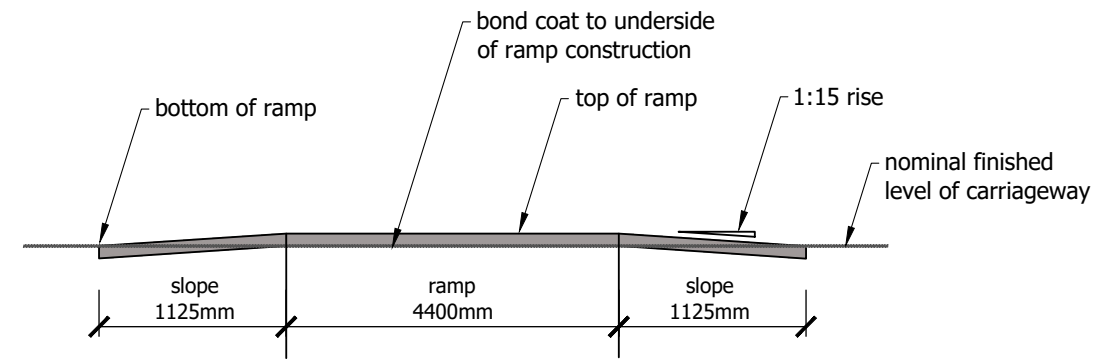
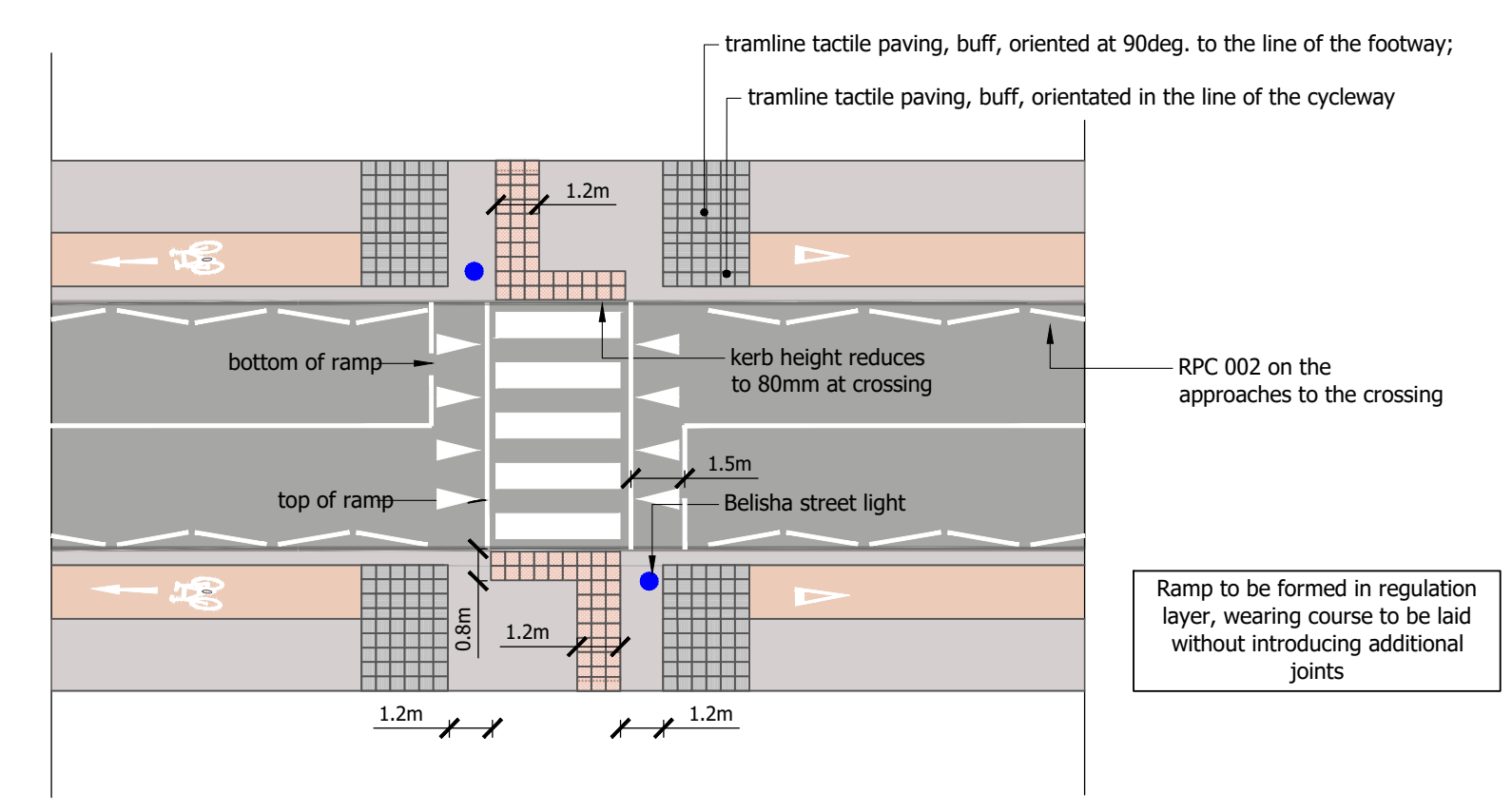
**DETAIL 11-4**  
Tactile Paving in areas  
of bound paving  
construction



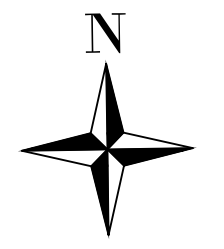
**DETAIL 11-5**  
Transverse joints between Pavement  
Type 1 and paving flag/slab



**DETAIL 11-6**  
Natural Stone Raised Table  
Paved Area Type 4



**DETAIL 11-7**  
Raised Zebra Crossing



- GENERAL**
- Datum for levels is OS Malin Head.
  - Verify existing levels prior to commencement of works. Report any discrepancies immediately to the Employer's Representative.
  - The locations shown for existing services are indicative only and may not be accurate. Furthermore, uncharted services may also be present. The Contractor should assume the existence of services unless proven otherwise.
  - It is the Contractor's responsibility to determine the existence and precise location of any service located within the site. All works shall be carried out in strict accordance with the document 'Code of Practice for Avoiding Danger from Underground Services' as published by the Health and Safety Authority.

OS mapping reproduced under licence.  
This drawing is not to be reproduced without the written permission of Kilgallen & Partners. Copyright.

REV	DATE	BY	DETAILS
PL1	28/11/24	AC	ISSUED FOR PLANNING

STATUS  
FOR PLANNING APPLICATION PURPOSES ONLY. NOT TO BE USED FOR ANY OTHER PURPOSE.

CLIENT  
CARLOW COUNTY COUNCIL

PROJECT  
CARLOW TOWN CENTRE PUBLIC REALM AND PEDESTRIAN LINKAGE REGENERATION PROJECT

TITLE  
PAVED AREAS - ENGINEERING DETAILS

**KILGALLEN & PARTNERS**  
CONSULTING ENGINEERS  
E-mail: info@kilgallen.ie, Web: www.kilgallen.ie

KYLEPROBE  
WELL ROAD  
PORTLAOISE  
T +353 56 866 2860

UNIT 3  
DANVILLE BUSINESS PARK  
KILKENNY  
+353 56 777 01090

DRN: AC	DRAWING NO.: 23042-C-DR-1106	REV.: PL1
CHND: RK	SCALE: 1:250 @ A1	DATE: 28/11/24